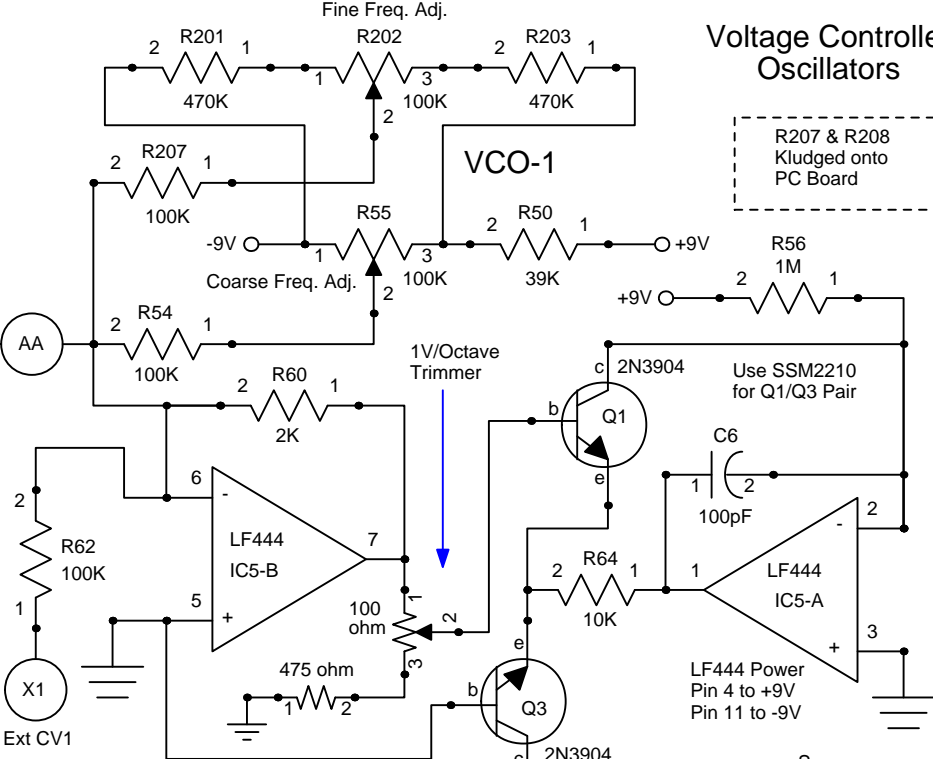
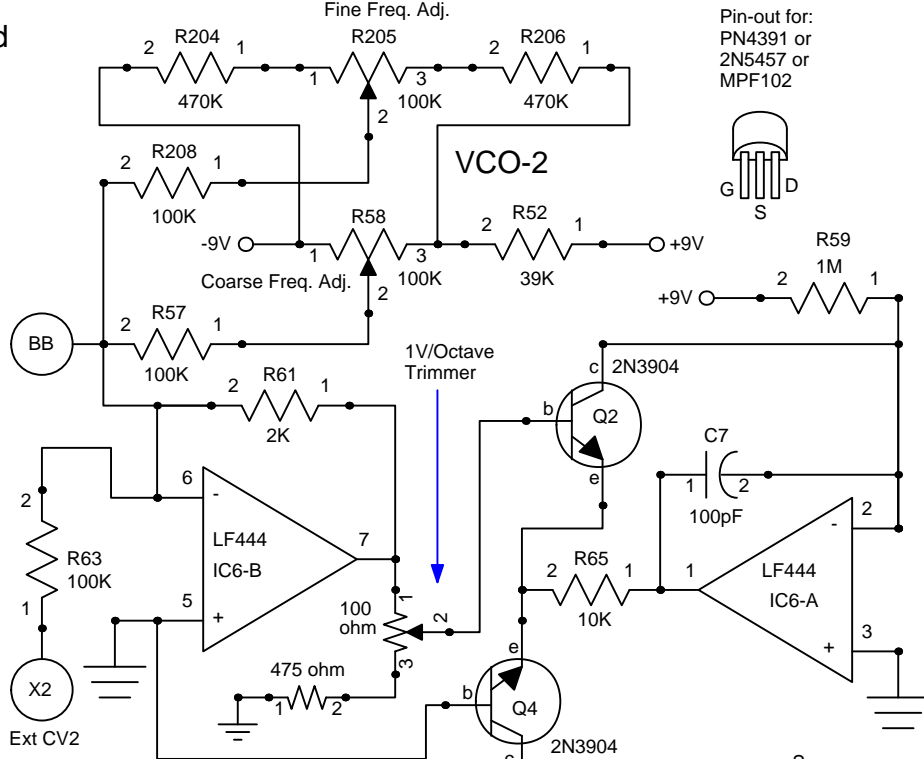


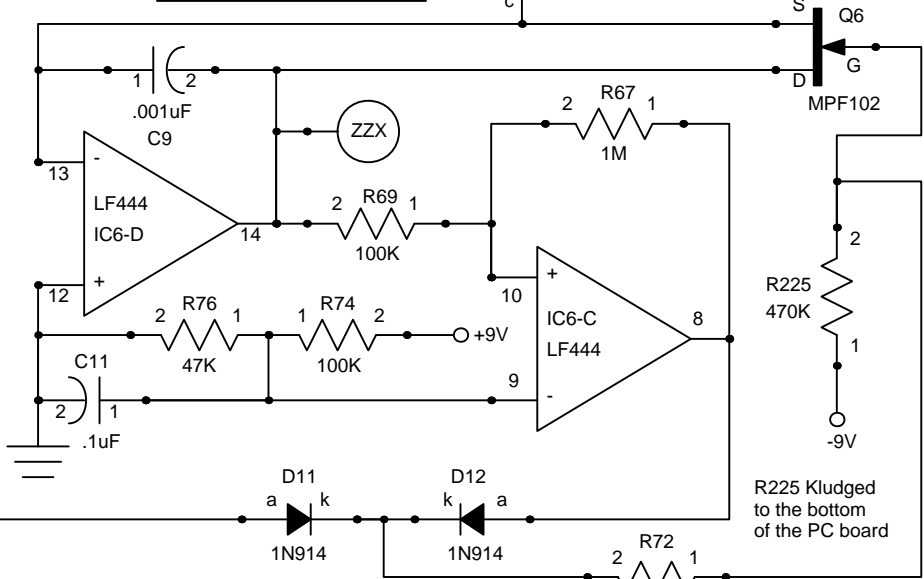
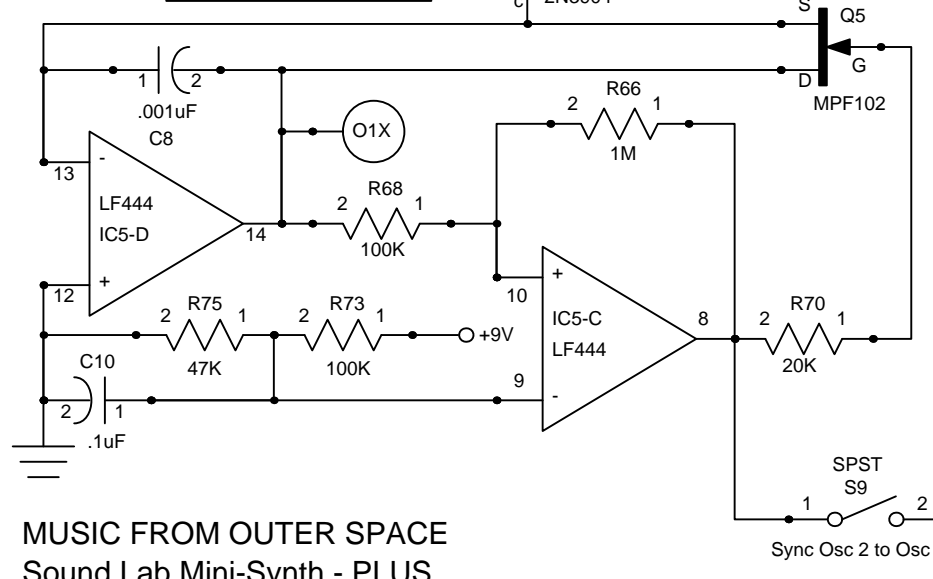
Voltage Controlled Oscillators



R207 & R208 Kludged onto PC Board



Pin-out for: PN4391 or 2N5457 or MPF102



R225 Kludged to the bottom of the PC board

MUSIC FROM OUTER SPACE Sound Lab Mini-Synth - PLUS